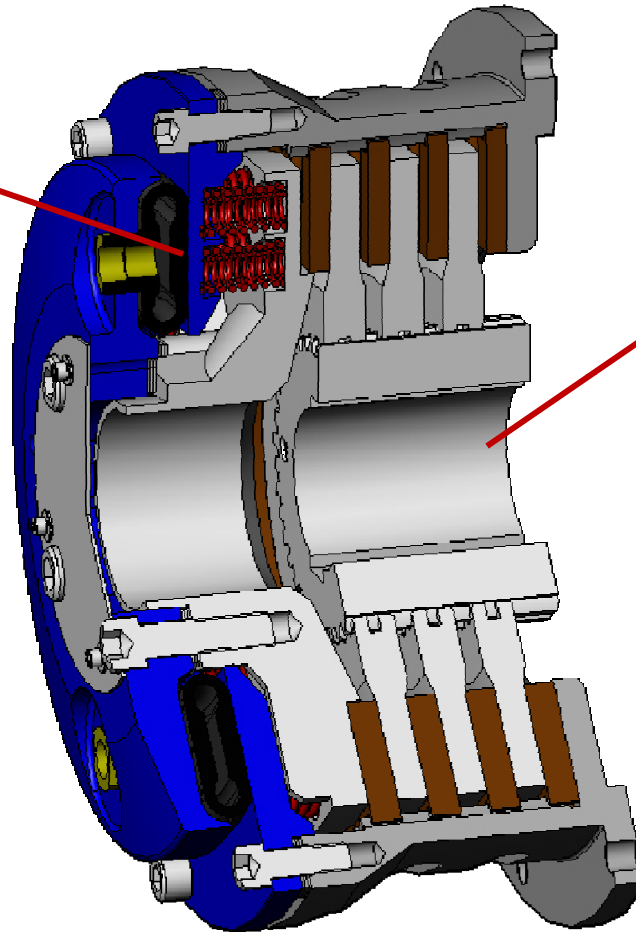


Reinforced neoprene *airtube* is inherently corrosion resistant, reacts accurately to small pressure changes and offers no resistance to movement. Ensures performance without expensive and complicated control packages.

Spring Set Brake



Hard, corrosion resistant hub coating.